

Initial Installation/Application/Removal/Maintenance

Initial Base Installation: Install the Foote-Mat™ product only on clean and dry bathroom floors under urinals. Center the Foote-Mat™ under the front lip of the urinal so that the narrow portion of the product is pointed away from the wall (Fig. 1), keeping in mind the floor surface where the stationary floor pegs will be. Prep the location for the two floor pegs by spot cleaning floor in the relevant locations with alcohol or glass cleaner. Allow area to dry. Remove the adhesive liner from each of the two back floor pegs, and place the base into position. Stay clear of grout lines or severely uneven floor surfaces for best peg adhesion. When the base is in position, press firmly down on each peg to increase adhesion.

- CAUTION: To remove pegs, use putty knife to gently pry up peg. Do not kick or use a hammer to knock pegs loose from floor surface.
- CAUTION: If adhesive pegs do not affix sufficiently to bathroom floors, clean adhesive foam off of pegs and use the replacement foam circles provided. These replacement circles use an extra strong adhesive.
- CAUTION: Adhesive on pegs can damage some floor finishes or, upon removal, pull up loose tiles.

Application of Top Sheet: Align the new top sheet over the back right and left pegs and press the pegs through the top sheet by applying pressure with your thumbs (Fig. 2). (Always use gloves when handling Foote-Mat™ top sheets and bases.) Self-align the remaining pegs and secure in the same fashion working your way toward the front pegs. Flip the front edge of the top sheet down under the oval-shaped tab with the Foote-Mats™ logo imprinted on it to secure the top sheet material under the tab. To eliminate the problem of drips flowing down the front of the urinal to a low point that is too near the wall, apply a silicone bead at an inconspicuous area as shown (Fig. 3, only if necessary).

Removal of Top Sheet: To remove a soiled Foote-Mat™ sheet, slide your index finger along one of the grooves near the back corners of the Mat and under the top sheet (Fig. 4). Grasp the top sheet from the corner, peel away from the pegs, and discard.

Maintenance: If you find that a Foote-Mat™ is dirty or dusty from shoe prints, it can be "cleaned up" by spraying it with water mist or whatever spray-type surface cleaner you are currently using (Fig. 5). And Foote-Mats™ are designed to withstand regular restroom mopping so you are free to mop right over the Foote-Mat™ while it's positioned on the floor (Fig. 6).

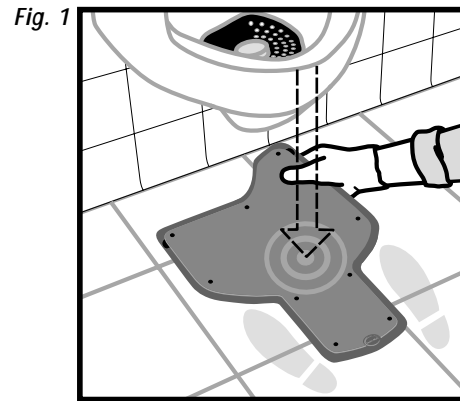


Fig. 1 Note precise position for installation.

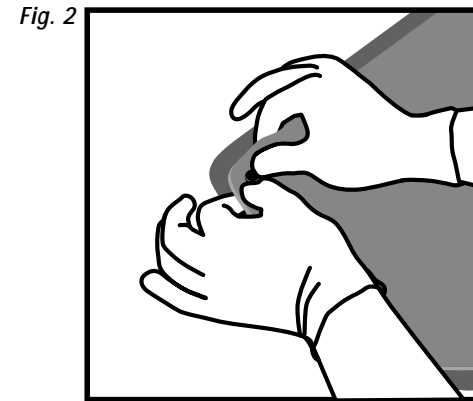


Fig. 2 Install disposable top sheet over pegs.

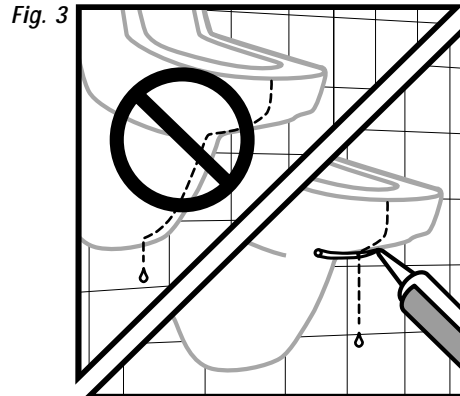


Fig. 3 Add silicone bead to urinals with "drip points" near the wall (only if necessary).

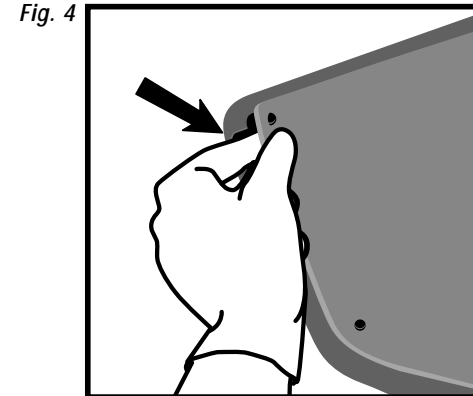


Fig. 4 Remove top sheet using finger grooves near the back wall.

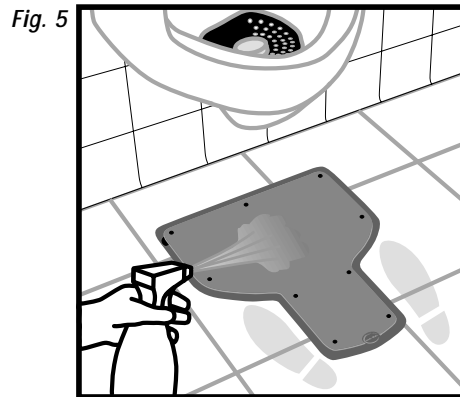


Fig. 5 Refresh for scent or light cleaning.

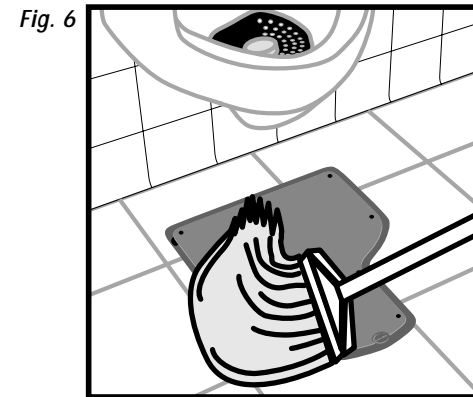


Fig. 6 Mop for scent or light cleaning.